

# CLS-TW models

SURFACE MOUNT MAGNETIC CONTACTS



## CLS-TW



### Magnetic contact Flying lead

CLIC S-series contacts are suitable for surface mounting on any door or window and in every environmental condition. Built with sturdy ABS cases and fully potted, together with the high security of the Magnasphere® technology, S-series CLICs are versatile devices with applications in both residential and commercial markets.

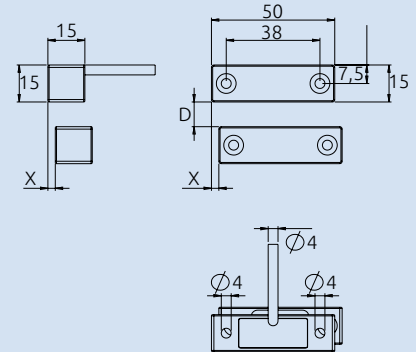
- Design based on patented Magnasphere® technology, used under license
- Magnetic anti-masking: magnets placed outside of the protected perimeter cannot prevent the contact from opening once the reference magnet moves away
- If installed with minimum operating gap, they offer higher security than traditional triple-balanced reed contacts
- Suitable for in-line or right-angled installations without any extra mounting plates
- High resistance to mechanical and electrical shocks
- Embedded EOL resistors available on request: ease of installation with maximum dependability
- Fully potted construction: water and acid resistant

### Ordering guide

CONTACT	D MAX	X MAX	PACKAGING
<b>CLS-TW-4C-N</b> <b>CLS-TW-4C-W</b>	On ferrous materials: 5 mm On other materials: 6 mm	3 mm	Contact, magnet: 5 sets
<b>CLS-TW-2C-R-N</b> <b>CLS-TW-2C-R-W</b>	On ferrous materials: 5 mm On other materials: 6 mm	3 mm	Contact, magnet: 5 sets

**NOTE:** Embedded EOL resistors: *r* Ohm in series, *r* Ohm in parallel.  
Substitute the required resistor value to the letter "r" to get the correct ordering code.

### TECHNICAL CHARACTERISTICS



**CASE**  
ABS

**MAGNET**  
Neodymium

**POTTING**  
Fully potted

**ELECTRICAL CONTACT**  
Closed with magnet in secure position

**EMBEDDED EOL RESISTORS**  
Optional on request:  
*r* Ohm in series, *r* Ohm in parallel

**ELECTRICAL PARAMETERS**  
30 VDC max, 250 mA, 0.25 W

**TERMINALS**  
200cm 4x0.14 flying lead, PVC sheath, tamper passthrough for standard versions  
200cm 2x0.22 flying lead, PVC sheath, for versions with embedded EOL resistors

**RESISTANCE TO MECHANICAL SHOCKS**  
Up to 100g di acceleration

**SECURITY**  
Certified Grade 3 EN 50131-2-6



**ENVIRONMENTAL CLASS**  
Certified Class IV EN 50131-2-6

**COLOUR CODES**

...	-N:	brown
...	-W:	white