



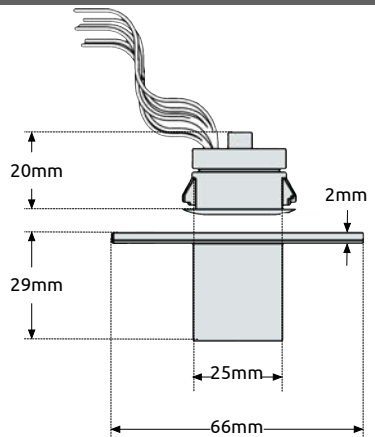
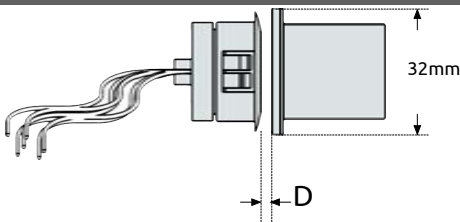
High security anti-masking magnetic contacts - Magnasphere® CLH-L2C



TECHNICAL FEATURES

- * Dimensions: see the figure
- * Contact CLOSED with magnet in secure position.
- * Electrical parameters: (max): 30VDC, 250mA, 0.25W. Shock resistance until 100g
- * Magnet brass case, sensor case in plastic material, full potted.
- * Terminal 30 cm , 4 conductors, anti tamper
- * Grade 3, Environmental Class IV according to EN 50131-2-6

INSTALLATION AND DIMENSIONS



- * Prepare the holes for the contact and for the magnet with a **25mm diameter mill**
- * Fix the magnet to the frame with the screws supplied in equipment
- * If necessary, use the spacer supplied
- * Fix the pressure sensor on the door

DISTANCE OF ACTIVATION

- * Distance of activation (D in figure): **3 mm**
- * **Out of axis: 3 mm max.**

ATTENTION: THE CLICK MAGNETS, IN PARTICULAR WAY FOR THE H SERIES, ARE EXTREMELY POWERFUL. WE RECOMMEND THE MAXIMUM CAUTION IN HANDLING, IN PARTICULAR PAY ATTENTION IN CLOSING METAL OBJECTS, FIRST OF ALL IF APPOINTED (SCREWDRIVERS, ETC.) TO DO NOT GETTING HURT.



TSEC S.p.A.
www.tsec.it
info@tsec.it



Produced in USA by Magnasphere
TSec and Clic logos are registered trademarks of TSec S.p.A.
TSec is a certified manufacturer of security products containing Magnasphere technology
CLIC line is covered by national and international patents.